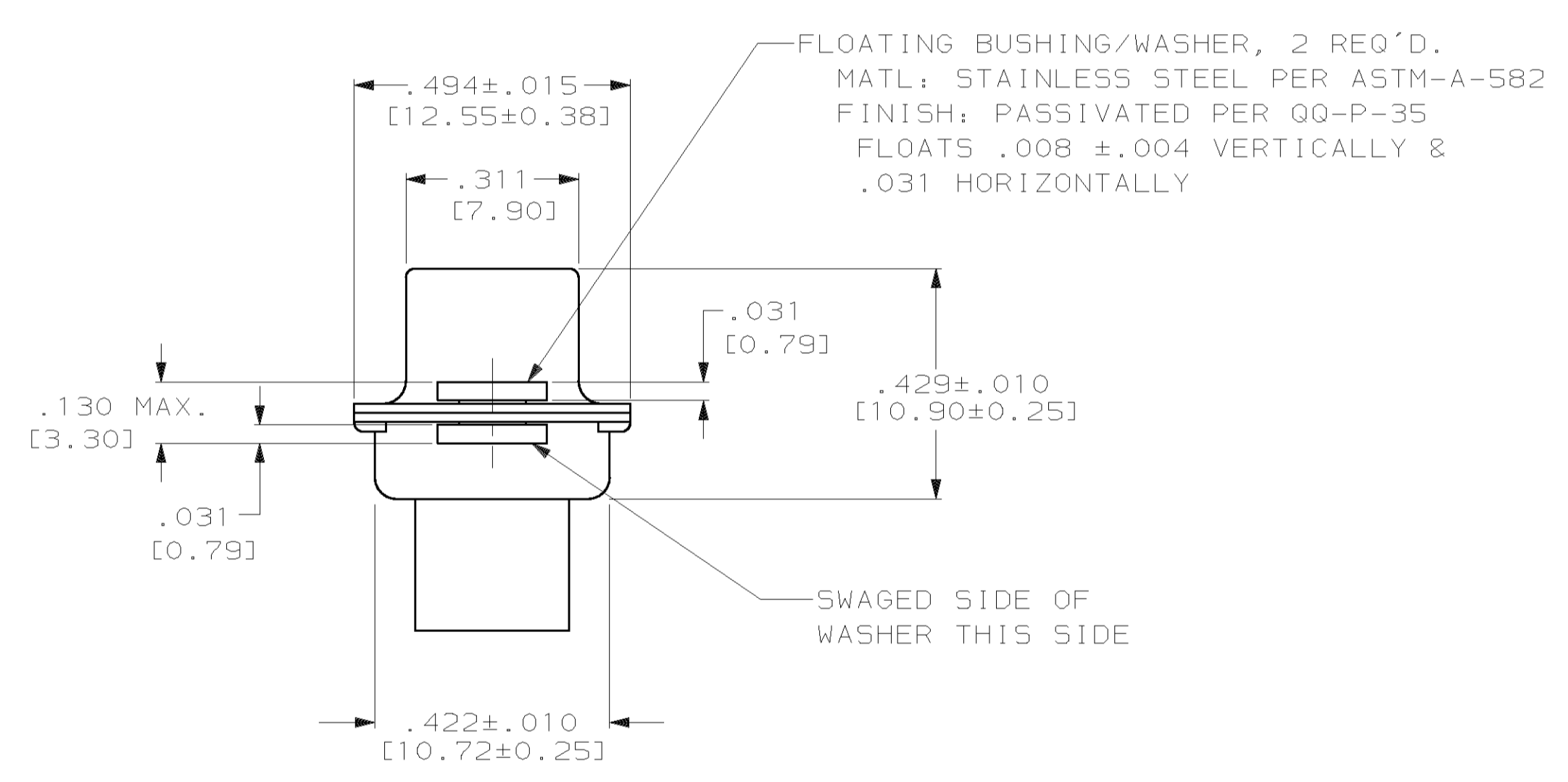
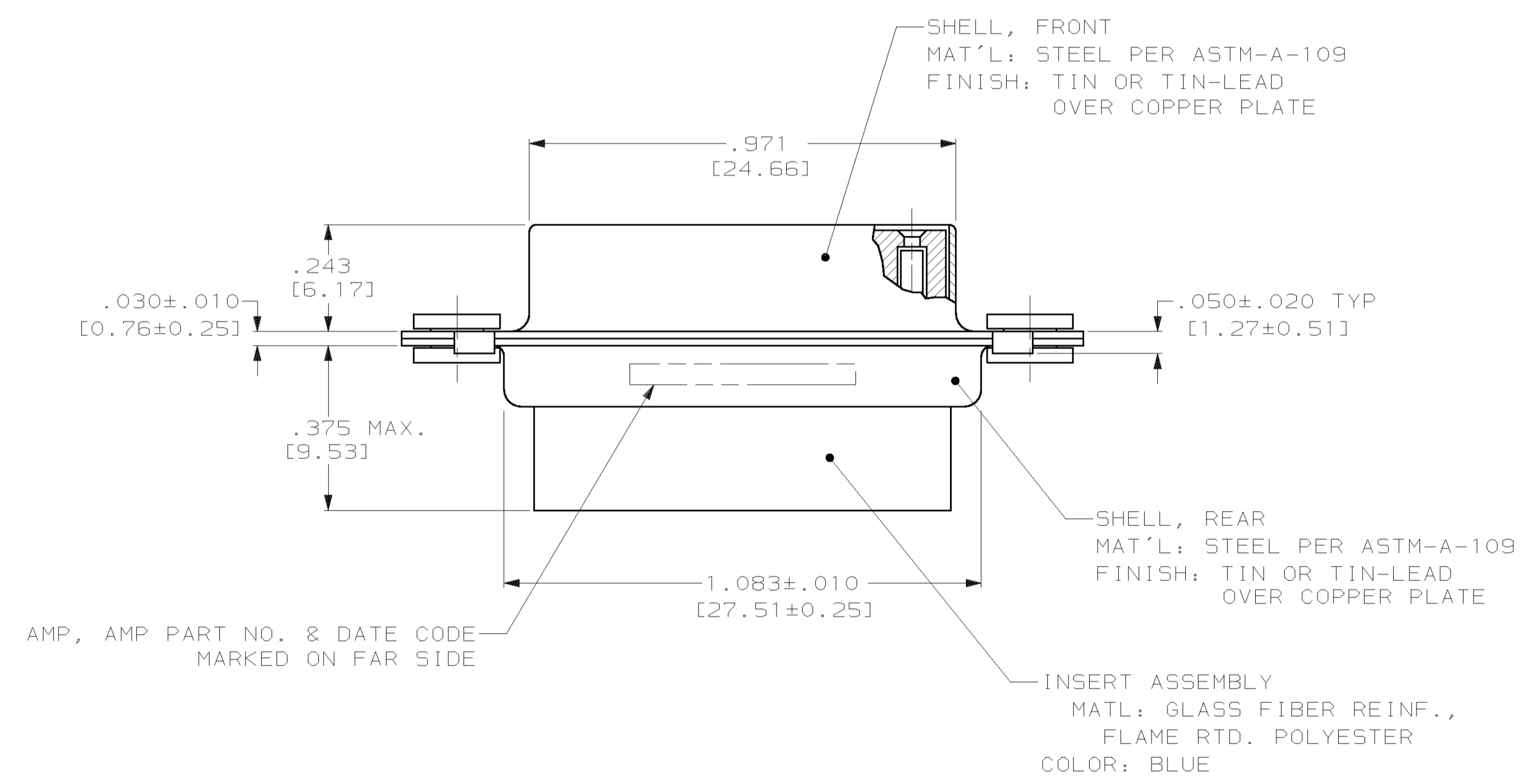
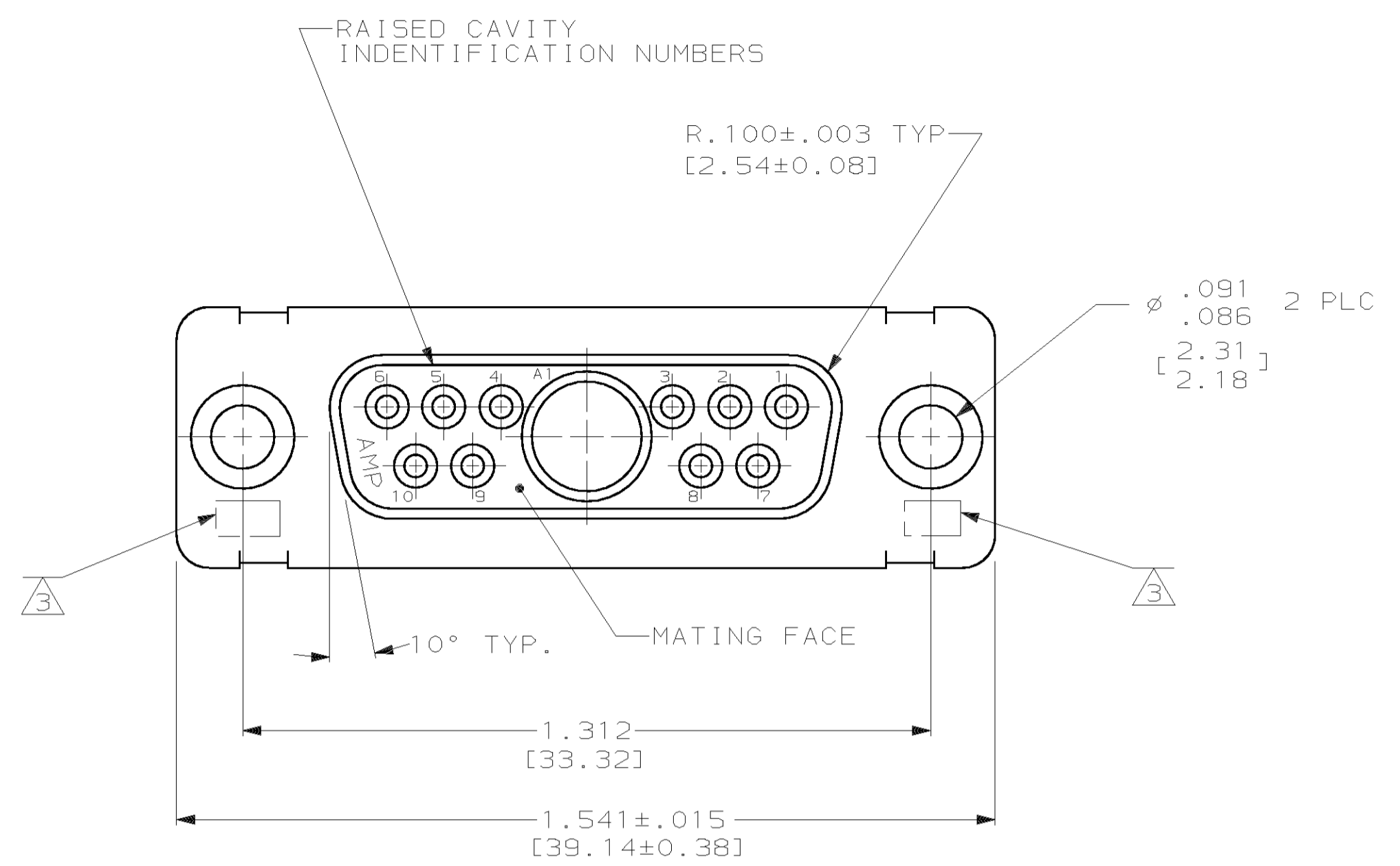


LOC		DIST		REVISIONS			
DF	DO	TR	LYR	DESCRIPTION	DATE	OWN	APPR
		0		PROPOSAL DRAWING	9-02	CT	DM



1. STAINLESS STEEL RETENTION CLIPS ARE INCLUDED IN INSERTS AT POSITIONS 1 THRU 10
2. POSITIONS 1 THRU 10 WILL ACCEPT SIZE 20 SOCKET CONTACT M39029/63-368 OR AMP PART NO 205090-1
3. UL/CSA DESIGNATION STAMPED IN THIS AREA, OPTIONAL
4. CONTACTS NOT SUPPLIED WITH CONNECTOR

1663034-1
PART NO.

THIS DRAWING IS A CONTROLLED DOCUMENT.		DWN C.C.THOMAS 9-10-02		TYCO Electronics Harrisburg, PA 17105-3608	
DIMENSIONS: INCHES (mm)		CHK D.MILLER 9-10-02		RCPT ASSY, 11C1, COAX MIX SIZE 2, AMPLIMITE WITH FLOAT BUSHINGS	
TOLERANCES UNLESS OTHERWISE SPECIFIED:		APP'D D.MILLER 9-10-02	PRODUCT SPEC	APPLICATION SPEC	RESTRICTED TO
MATERIAL		FINISH	WEIGHT	SIZE A1	CAGE CODE 00779
SEE CALLOUTS		SEE CALLOUTS	SCALE 4:1	DRAWING NO. 1663034	SHEET 1 OF 1
		CUSTOMER DRAWING			REV 0